

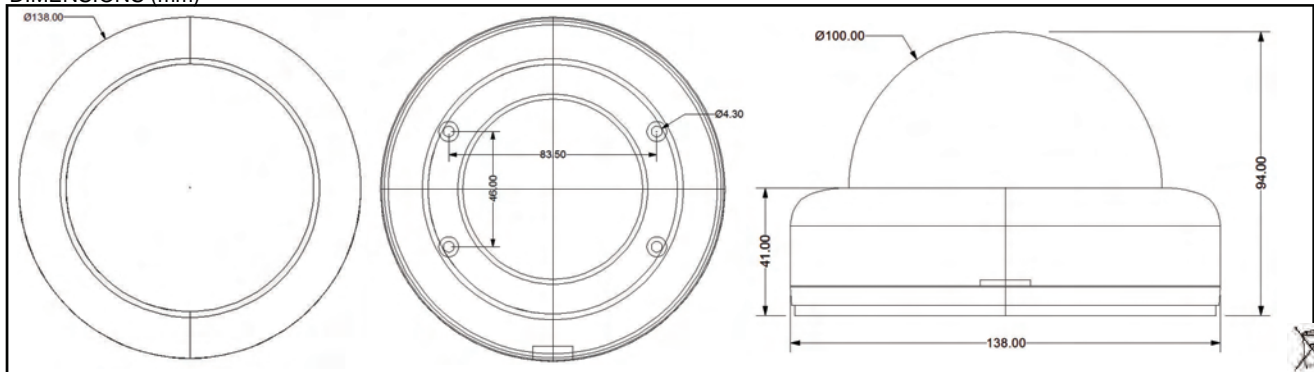
### Colour/Mono Dual-Voltage Internal Dome Camera w/OSD controls

- 1/3" Sony Super HAD II CCD
- 600TVL Resolution
- OSD Controls for multiple functions
- 3-Axis Internal Camera bracket
- Dual Voltage 12vDC/24vAC
- 2.8-12mm F1.2 DC Iris Lens
- Tinted Polycarbonate Dome
- 2D Digital Noise Reduction (2DNR)
- Digital Wide Dynamic Range (DWDR)
- Privacy function (8-zone)
- Motion Detection (4-zone)
- Backlight Compensation (BLC)
- Highlight Compensation (HLC)



Mode	Sensor	Resolution	Sensitivity	Power	Features	ORDER CODE
Colour/Mono	1/3" CCD	600TVL	BW 0.01lux Col 0.1lux F1.2	130mA	Black housing	<b>D138</b>
					White housing	<b>D138-W</b>

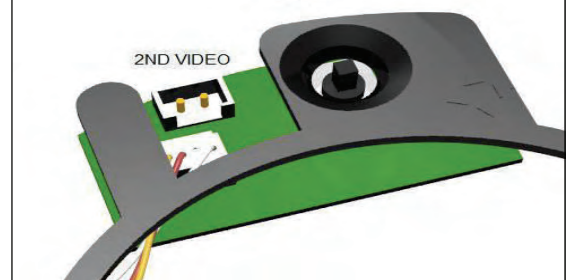
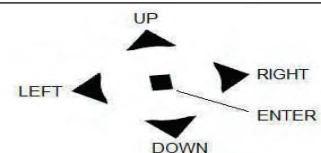
DIMENSIONS (mm)



### SPECIFICATION

MODEL	D138 Series	
	NTSC	PAL
Resolution	600TVL	
Sensor	1/3" SONY® Super HAD II CCD	
Total pixels	811(H) x 508(V) 410K pixels	795(H) x 595(V) 470K pixels
Effective pixels	768(H) x 494(V) 380K pixels	752(H) x 508(V) 440K pixels
Scanning system	2:1 Interlaced	
S/N (Y signal)	> 50dB (AGC off)	
Frequency	Horizontal: 15.734KHz / Vertical: 59.94Hz	Horizontal: 15.625KHz / Vertical: 50.00Hz
Video output	CVBS: 1.0v p-p / 74ohms	
Min. illumination	0.1Lux at F1.2 (colour) / 0.01Lux (B/W)	
Lens	2.8-12mm F1.2 DC Iris Lens	
White balance	ATW1 / ATW2 / AWC→SET / MANUAL Adjustable	
Electronic shutter speed	AUTO / MANUAL (1/60sec ~ 1/100,000sec)	AUTO / MANUAL (1/50sec ~ 1/100,000sec)
O.S.D.	Built-in	
Back Light Compensation	OFF / BLC / HLC Selectable	
AGC (Auto Gain Control)	LOW/ MIDDLE / HIGH / OFF Selectable	
DWDR (Digital Wide Dynamic)	ON / OFF	
2DNR (Digital Noise Reduction)	ON / OFF	
Day & Night	AUTO / COLOUR / B&W / EXT	
Privacy	OFF / ON (8 zones)	
Motion detection	OFF / ON (Motion size: 28 x 15, 4 Areas)	
Negative Image conversion	ON / OFF	
Sharpness	ADJUSTABLE	
Operating temp/humidity	-10°C ~ +50°C / 30% ~ 80% RH	
Storage temp/humidity	-20°C ~ +60°C / 20% ~ 90% RH	
Power	12vDC / 24vAC auto-sensing 130mA max, @ 12vDC	
Weight	464g	

Prise open housing with coin or screwdriver to access camera, lens and OSD controller



#### OSD Controller

Press on top of stick to access main menu. Use this button to ENTER or to select menu options.

Move stick UP and DOWN to shift vertically and between menus and options.

Move stick LEFT and RIGHT to shift horizontally and between menus and options.

